

User Guide

Wireless Router



©2015 Vivint, Inc. All rights reserved.

Vivint and its respective logos are either registered trademarks or trademarks of Vivint, Inc. in the United States and other countries. All other trademarks are the property of their respective owners.

Document P/N: 77-600010-001 – Rev A.0

Wireless Router P/N: WRDB1200AC-V

Wireless Router M/N: WR01

User Guide

Welcome to Vivint Internet	1
Package Contents	2
Getting to Know the Router	3
Hardware Features	3
Configuration Interface	5
Regulatory and Service Information	6

Welcome to Vivint Internet

Thank you for your purchase and welcome to Vivint® Internet.

To quickly get to know and start using your Vivint wireless router, please read this introductory *User Guide* and then make sure to access the additional resources that are available online.



Get Support

For additional online help and support, including how-to videos, step-by-step instructions, FAQs, as well as a downloadable PDF version of the *Quick Setup Guide*, please visit support.vivint.com.

To contact Vivint Internet Customer Care – call **1.855.881.3385**

Package Contents

The Vivint Internet packaging contains the following items:

- Wireless router
- Power supply cord
- Ethernet network cable
- *Quick Setup Guide*



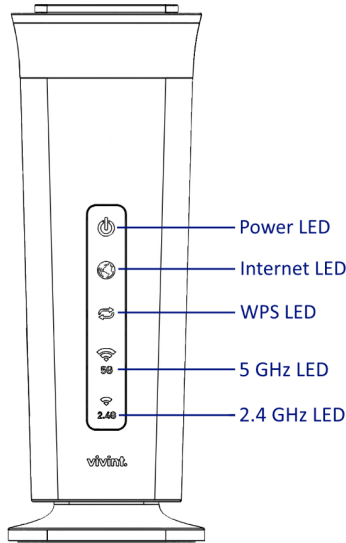
If any of the items listed above are missing or damaged, please contact Vivint Internet Customer Care.

Getting to Know the Router

Hardware Features

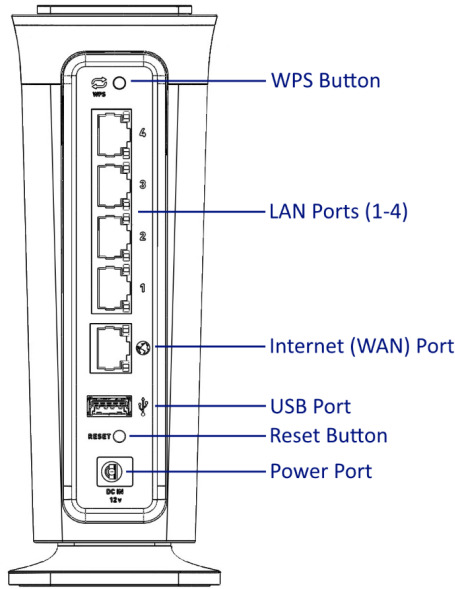
The following drawings describe the router's hardware components and features.

Front view:



Feature	Description
Power LED	A solid light indicates a connection to the power supply. (Note: When the router is starting up, the light is blinking.)
Internet LED	A blinking light indicates Internet connection and activity.
WPS LED	A blinking light indicates the WPS learning process is running.
5 GHz LED	Indicates a 5 GHz wireless connection.
2.4 GHz LED	Indicates a 2.4 GHz wireless connection.

Back view:



Feature	Description
WPS Button	Press to start the WPS process. The WPS LED blinks for two minutes.
LAN Ports (1-4)	Use this 4-port gigabit switch to connect devices to your network (computers, game consoles, etc.)
Internet (WAN) Port	Use this gigabit port to connect to the Internet.
USB Port	Connect a USB flash drive to this USB 3.0 port to share data across your network.
Reset Button	Press and hold for two seconds to reboot the router. Hold for eight seconds to reset to factory defaults.
Power Port	Connect the power supply (12VDC / 1.5A minimum).

Configuration Interface

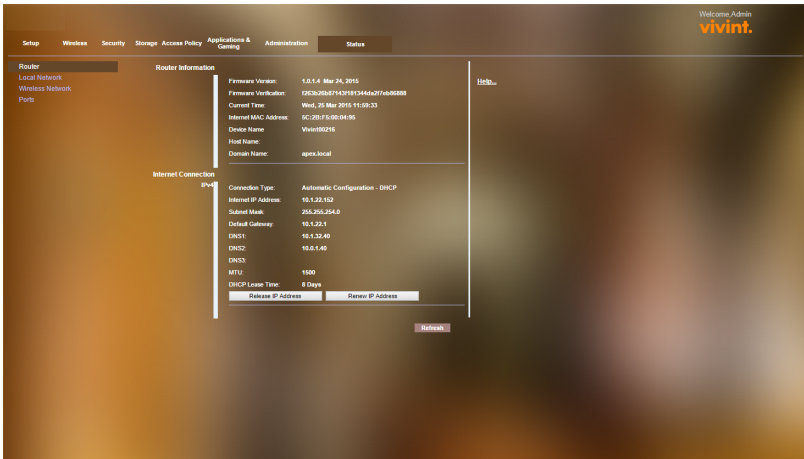
The Vivint router is configured and managed via a web-based configuration interface.

When your router is installed, the Vivint Technician performs all of the necessary setup steps including connecting the router and configuring initial settings. When finished, your wireless network is up and running and ready to use. (Note: This procedure is described in the *Quick Setup Guide*.)

You can also use this configuration interface to manage your wireless network and configure its settings.

To access the router's configuration interface via a web browser

1. At your computer, open a web browser.
2. Enter the router's IP address in the address bar: `http://192.168.1.1`
3. When prompted to log in, enter a valid user name and password. (The default user name and password are both **admin**.)



4. Specify settings as desired. (Click **Help** on each page for descriptions.)



Keep in mind that for detailed information about using and troubleshooting your Vivint router you should visit support.vivint.com.

Regulatory and Service Information

Regulatory Information

The router will operate normally at temperatures between 0°C to 40°C (32°F to 104°F).

For complete regulatory compliance information, go to support.vivint.com/fcc.



CAUTION: Unauthorized changes or modifications could void the user's authority to operate the equipment.

Service Information

Your local Vivint field service professional is the person best qualified to service your system. Should your system ever require service due to ordinary wear and tear or defective parts, Vivint will repair or replace the equipment for free. Note that trip fees may apply.

For all inquiries about the warranty and related service, call Vivint Internet Customer Care at **1.855.881.3385**.